

Notch Filter

ABSF1075M1105M10SF

Revision record

Date	Version	Author	Revision description	Comment
2024/09/19	V1.3	Vivian	Created	/

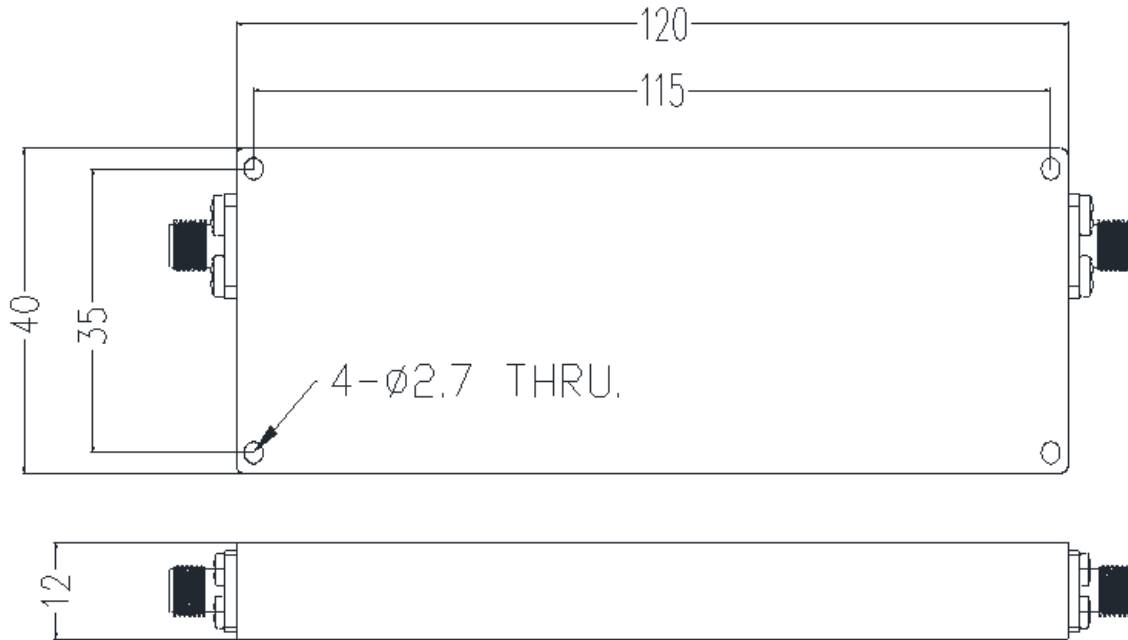
Electrical specification

Parameter	Specification
Notch Band	1075-1105MHz
Rejection	≥55dB
Passband	30MHz-960MHz / 1500MHz-4200MHz
Insertion loss	≤1.0dB
Return Loss	≥10dB
Impedance	50Ω
Average Power	≤10W
Operational Temperature	-20°C to +60°C
Storage Temperature	-55°C to +85°C

Mechanical specification

Parameter	Specification
Dimension	L x W x H: 120.0 x 40.0 x 12.0 mm (Not including the tuning screws and connectors)
Connector Type	SMA-female
Surface Finish	Black Painting
Weight	180g
Notes	Material shall be RoHS 6/6

Outline



Test Curve

